

# USB To RS232/485 Converter



## Overview and Applications

The USB To RS232/RS485 Converter (Model : CONV-USBTORS232/485) is a cost-effective module for transfer serial data over USB. The CONV-USBTORS232/485 is designed to make serial port expansion quick and simple. Plugging the device into the USB Port, it is automatically detected and installed. The CONV-USBTORS232/485 module derives the power from the USB port and doesn't need any power adapter. It also features a high-speed 115.2 Kb/s transmission rate, and supports various independent RS-232/485 Ports.

## Electronic Commerce Co., Ltd.

USB To RS232/RS485 Converter

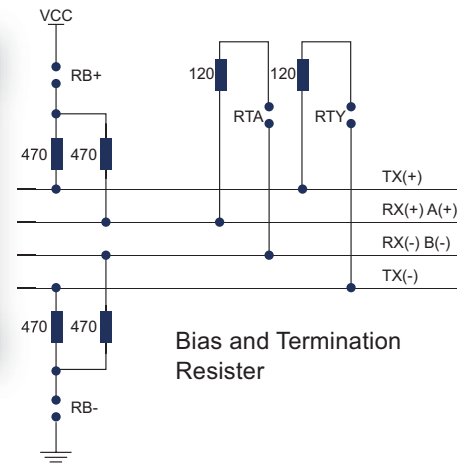
Model : CONV-USBTORS232/485

## Technical Specification

<b>Application :</b>	USB to RS RS485 converters, USB to RS 232 converters (LTC 1337 Optional )
<b>USB UART Device :</b>	FTDI FT 232 BM
<b>UART interface supports :</b>	7/8 data bits, 1/2 stop bits and Odd /Even /Mark /Space /No Parity
<b>OS Support :</b>	Windows 98/98 SE/2000 /ME/ XP, Windows CE 4.2 ,MAC OS-8 and OS -9, MAC OS-X, Linux 2.40 and greater
<b>LED status indicators :</b>	Power, Txd/Rxd
<b>Galvanic Isolation :</b>	No
<b>Humidity :</b>	5-95% non-condensing
<b>Case Material :</b>	Metal(Gray Color)
<b>Casing Size :</b>	W=62,H=80,D=25 mm
<b>RS485 Mode :</b>	2-Wire half duplex / 4-Wire full duplex (Jumper Selectable)
<b>Data transfer rate :</b>	300 Baud to 3M Baud
<b>RS485 Transmit enable:</b>	Automatic turnaround
<b>RS485 drivers:</b>	Up to 1200 m using 26AWG twisted pair wire at 115 k Baud into 120 Ohm loads .
<b>RS485 Bias :</b>	470 Ohm pull -up and pull -down (jumper selectable).
<b>RS485 Termination:</b>	120 Ohm (jumper selectable).
<b>Number of RS -485 nodes :</b>	32
<b>RS485 Connector:</b>	MODULAR JACK 6P6C RJ 11/Terminals Block Connector
<b>RS232 Device :</b>	Linear LTC 1337 (Optional, standard package not include)
<b>Data transfer rate :</b>	300 Baud to 1M Baud
<b>Control signals support :</b>	RTS, CTS, DSR , DTR, DCD,RI
<b>RS232 Connector:</b>	Standard IBM PC Serial port (DB9)



CONV-USBTORS232/485



Bias and Termination Resistor

## Jumper Configuration (\*Factory default setting)

### Jumper JP1

Pin 1-2 (RB+) : ON = Enable Bias Resistor 470 ohm in RX(+),TX(+),A(+) to VCC\*  
OFF = Disable Bias Resistor

Pin 3-4 (RB-) : ON = Enable Bias Resistor 470 ohm in RX(-),TX(-),B(-)to Gnd\*  
OFF = Disable Bias Resistor

Pin 5-6 (RTA) : ON = Enable Termination Resistor 120 ohm in RX(+),A(+) to RX(-),B(+)\*  
OFF = Disable Termination Resistor

Pin 7-8 (RTY) : ON = Enable Termination Resistor 120 ohm in TX(+) to TX(-)\*  
OFF = Disable Termination Resistor

### Jumper JP2(H/F)

H = RS-485 2-Wire Half duplex Mode Select\*  
F = RS-485 4-Wire Full duplex Mode Select

## Standard Package include

1. USB To RS232/RS485 Converter Module.
2. USB Cable 1m. & CDR0M.

\* For RS232 need IC LTC1337 (Optional).